

Graves Park – Grindstone Wheel



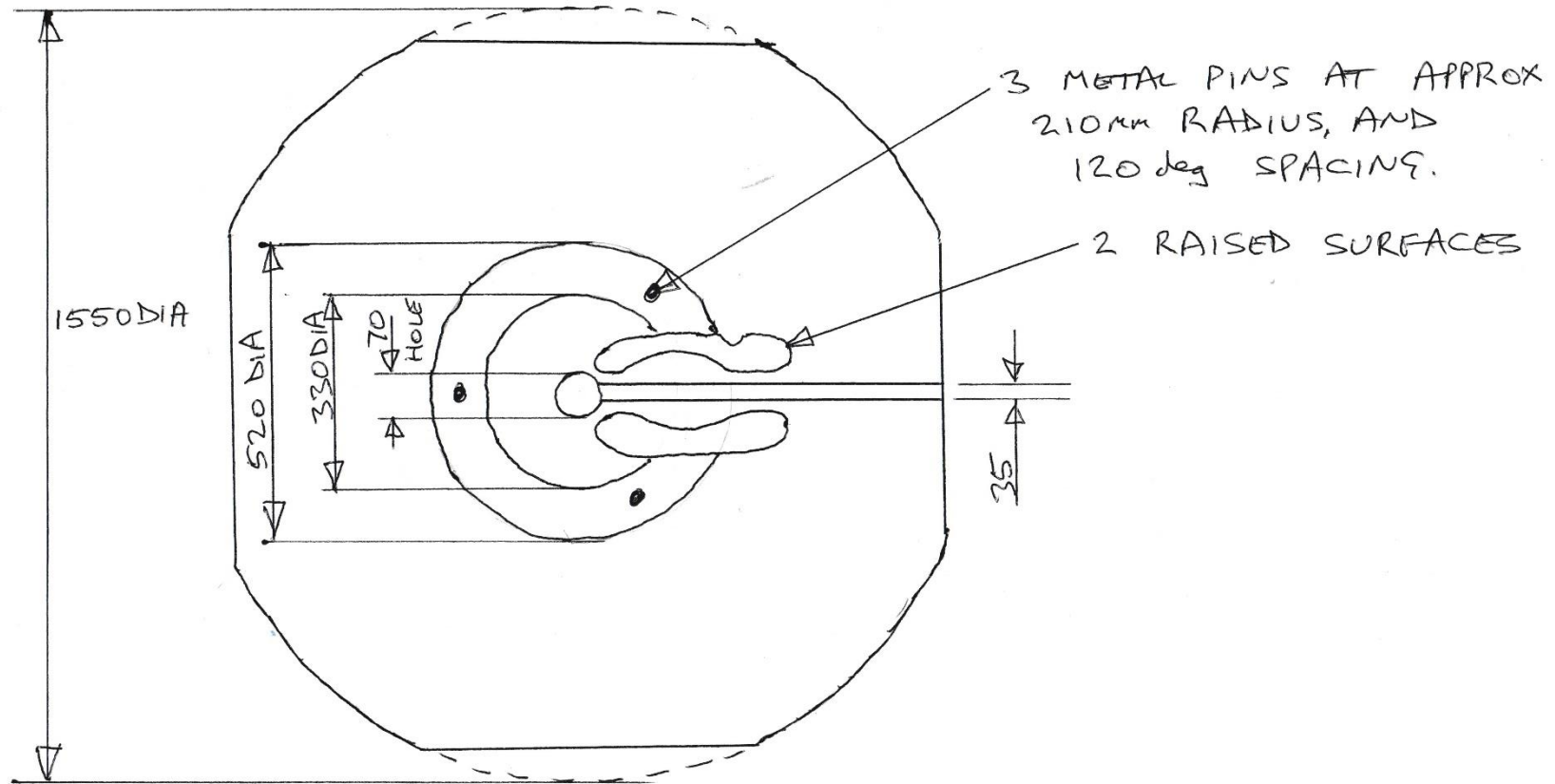
June 2019

Tony Spillane

Grindstone Wheel

- Located at bottom of sloping paths to the north of Rose Café, close to track from Derbyshire Lane entrance
- Overall diameter of 1550mm, with a 70mm hole in its centre
- Presumably used for the grinding of grain, with feed in through the centre, and radial channel to spread the grain across the full area of the grinding wheel.
- It has some raised features in the centre of the wheel, and three metal pins sticking out
- Unable to determine the thickness of the wheel without digging adjacent to it.
- Presumably used to process the crop from the ridge & furrow fields?
- Powered by animal, or used in a windmill?

GRINDSTONE WHEEL - LOCATED NORTH OF ROSE CAFE



DIMENSIONS IN M.M.

29/6/2019

Grinding Wheel - photos

